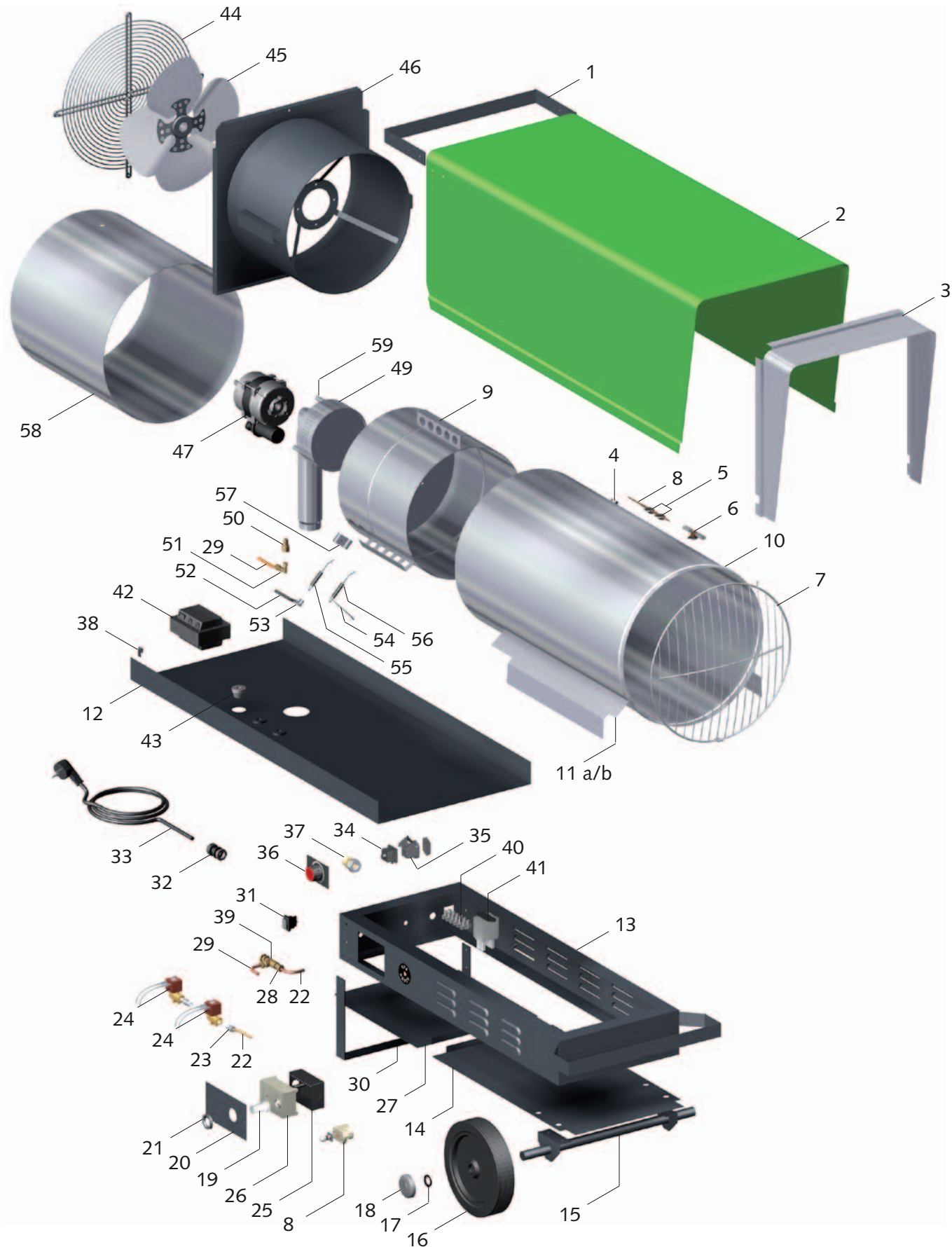


# REMKO PGT

## Exploded view of PGT 100



We reserve the right to modify the dimensions and design as part of the ongoing technical development process.

## Spare parts list

No.	Designation	EDP no.	No.	Designation	EDP no.
1	Transport handle	1101680	35	Thermostat socket	1101018
2	Exterior cladding	1101681	36	Adjusting knob, cpl.	1101192
2a	Exterior cladding (stainless steel)	1101462	37	Gas connection nipple	1101134
3	Insulation	1101682	38	Fastening bracket	1102906
4	Grommet	1101304	39	Gas control	1101692
5	Retaining clip	1101395	40	Terminal block 6er	1101366
6	Aftercooler thermostat	1101683	41	Auxiliary relay	1108038
7	Protective outlet grille	1101684	42	Ignition transformer	1101666
8	Safety thermostat	1101197	43	Grommet, large	1101677
9	Combustion chamber	1101685	44	Protective intake grille	1101648
10	Interior cladding, front	1101686	45	Fan blade	1101693
11a	Cladding support, right	1101631	46	Fan housing, cpl.	1101694
11b	Cladding support, left	1101632	47	Fan motor	1101634
12	Mounting plate	1101687	49	Gas burner	1101695
13	Unit base	1101688	50	Gas nozzle	1101659
14	Floor panel	1101652	51	OT elbow union	1101316
15	Axle	1101653	52	Ignition cable	1101696
16	Wheel	1102155	53	Connection clip	1101181
17	Locking ring	1101622	54	Ionisation cable	1101187
18	Hubcap	1101623	55	Ignition electrode	1101698
19	Push-button extension	1101524	56	Ionisation electrode	1101697
20	Cover	1101525	57	Electrode bracket	1101633
21	Nozzle	1101528	58	Interior cladding, rear	1101450
22	Gas supply pipe M/R	1101441	59	Spacer sleeve	1101699
23	GE-screw connection	1101396	<b>Without figure:</b>		
24	Solenoid valve	1101165		Pressure controller	1101418
25	Automatic burner base	1102534		Hose breakage protection	1101664
26	Automatic burner	1101526		2 linear m. Gas hose	1101419
27	Inspection cover	1101651		2 linear m. HP gas hose <sup>1)</sup>	1101174
28	Screw connection M10 x 1	1101409		5 linear m. HP gas hose <sup>1)</sup>	1108410
29	Gas supply pipe R/D	1101690		10 linear m. HP gas hose <sup>1)</sup>	1108411
30	Support, rear	1101691		Multi-cylinder set (2-3 cylinders), cpl.	1014050
31	Operating switch	1101188		T-connection for multi-cylinder set	1101177
32	Strain relief	1101267		Nylon seal for T-connection	1101178
33	Mains cable with plug	1101320		HP hose 0.4m for multi-cylinder set	1101179
34	Strapping plug	1101019		Thermostat plug	1101020

<sup>1)</sup> Version for construction site operation per DIN 4815 part 1, pressure class 30